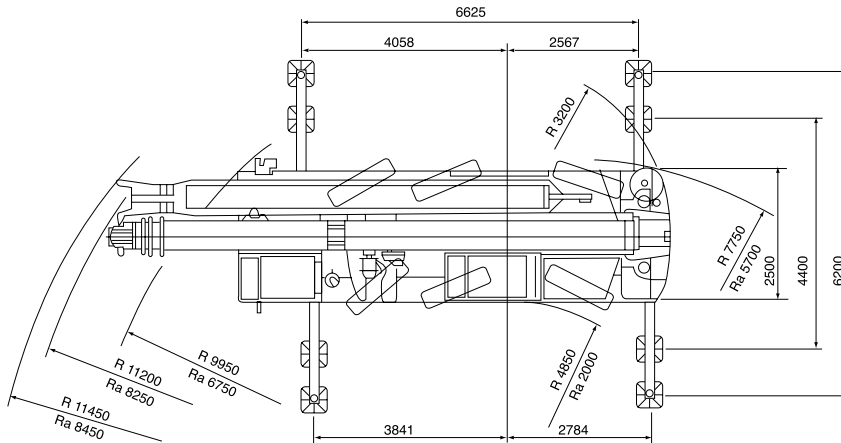
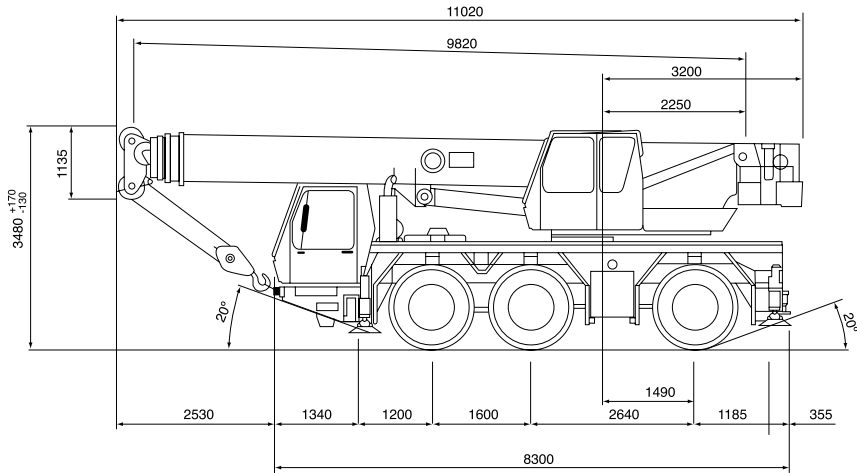


Grove GMK 3050

Dimensions



Load Reductions (Fly Jib Stowed)

Boom Length (m)	9.8	13.4	16.9	20.4	24	27.5	31	34.6	38.1
Load to be Deducted (t)	0.7	0.5	0.5	0.1	0.1	0.1	0.1	0.1	0.1

Hookblock

Capacity (t)	28	12
Weight (t)	0.35	0.17

The charts that have been included have been reproduced from manufacturer specifications, and while every effort has been made to ensure their accuracy, we do not accept any responsibility for errors or omissions. We also need to draw your attention to the guidance notes on page 47 to assist you with your crane selection.

50
Tonne

All Terrain
Cranes

Main Boom

Radius (m)	10.5t Counterweight								
	9.8m	31.4m	16.9m	20.4m	24m	27.5m	31m	34.6m	38.1m
3	50/45	30.5	30.5	16	16	15			
4	36.5	27.5	30	16	16	15	11	8.5	
5	31	23.5	26	16	16	15	11	8.5	7.2
6	25.5	20.5	23.5	16	16	15	11	8.5	7.2
7	21.5	18.8	20.5	16	16	15	11	8.5	7.2
8		16.6	16.4	16	15.2	13.8	10.8	8.5	7.2
9		14.8	15.2	13.8	13.9	12.5	10.2	8.4	7.2
10		12.4	12.8	11.5	11.9	11.6	9.6	8.4	7.2
11			10.9	10.6	10.1	10.3	9.1	8.4	7.2
12			9.5	9.7	8.7	8.9	8.5	8.3	7.1
13			8.3	8.5	7.5	7.8	8	7.8	7
14			7.4	7.6	6.6	7.1	7	7.2	6.9
15				6.8	6.1	6.7	6.2	6.4	6.5
16				6.1	5.8	6.3	5.8	5.7	5.8
18					5.1	5.2	5.2	4.8	4.7
20					4.2	4.3	4.3	3.7	3.8
22						3.6	3.6	3	3.1
24						3	3.1	2.4	2.5
26							2.6	1.9	2
28							2.2	1.5	1.5
30								1.2	1.3
32									1
34									0.8

**50
Tonne**All Terrain
Cranes

The charts that have been included have been reproduced from manufacturer specifications, and while every effort has been made to ensure their accuracy, we do not accept any responsibility for errors or omissions. We also need to draw your attention to the guidance notes on page 47 to assist you with your crane selection.

Grove GMK 3050

Fly Jib Duties

10.5t Counterweight												
Main Boom (m)	31.0						38.1					
Fly Jib (m)	9			15			9			15		
Radius (m)	5°	20°	40°	5°	20°	40°	5°	20°	40°	5°	20°	40°
6	3.8											
7	3.8											
8	3.8						3.2					
9	3.8			2.3			3.2					
10	3.8	3.7		2.3			3.2			2		
11	3.8	3.6	3	2.3			3.2	3.2		2		
12	3.7	3.5	3	2.3	2.3		3.2	3.2		2		
13	3.7	3.5	2.9	2.3	2.2		3.2	3.2	2.9	2		
14	3.6	3.4	2.9	2.3	2.2		3.2	3.2	2.9	2	2	
15	3.5	3.3	2.9	2.3	2.1		3.1	3.1	2.8	2	2	
16	3.4	3.2	2.8	2.2	2	1.5	3.1	3.1	2.8	2	2	
18	3.2	3.1	2.7	2.2	1.9	1.5	3	3	2.7	2	1.9	1.5
20	3.1	2.9	2.7	2.1	1.8	1.5	3	3	2.7	2	1.8	1.5
22	2.9	2.8	2.6	2	1.7	1.5	2.9	2.9	2.6	2	1.8	1.5
24	2.5	2.8	2.5	1.9	1.7	1.4	2.3	2.5	2.6	2	1.7	1.4
26	2.4	2.4	2.4	1.9	1.6	1.4	1.8	2	2.2	1.9	1.6	1.4
28	2	2.1	2.1	1.8	1.5	1.4	1.4	1.5	1.7	1.9	1.6	1.4
30	1.6	1.7	1.7	1.6	1.5	1.3	1	1.2	1.3	1.5	1.5	1.4
32	1.3	1.3		1.6	1.4	1.3	0.7	0.8	0.9	1.2	1.4	1.3
34	1	1.1		1.4	1.4	1.3			0.8	0.9	1.1	1.3
36	0.8			1.2	1.3	1.3				0.7	0.8	1
38				1	1							0.7
40				0.8	0.8							

50
Tonne

All Terrain
Cranes